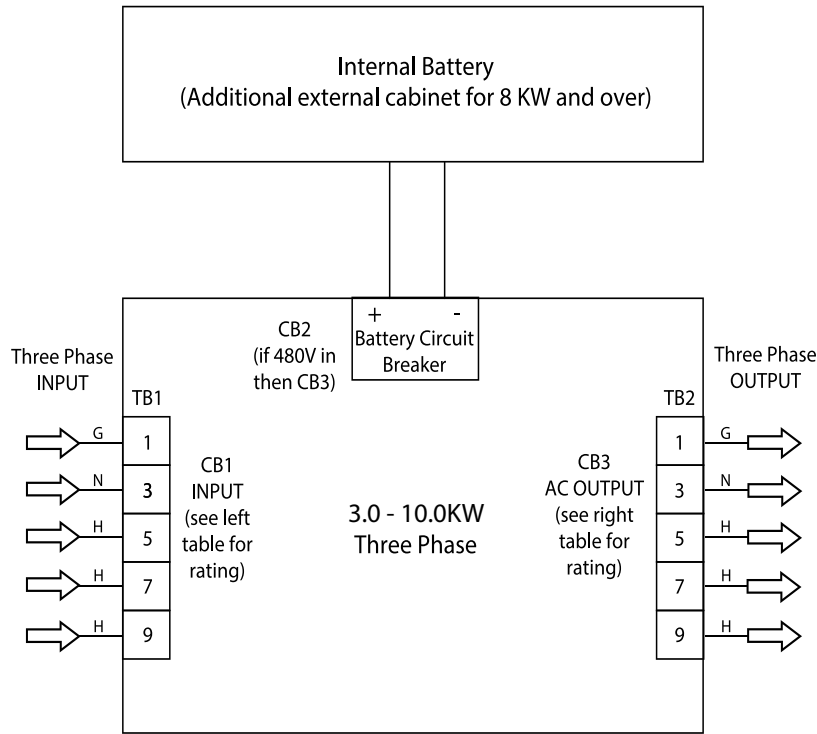


Sonoran 3 Series

Integration

Three Phase: 3 - 10KW

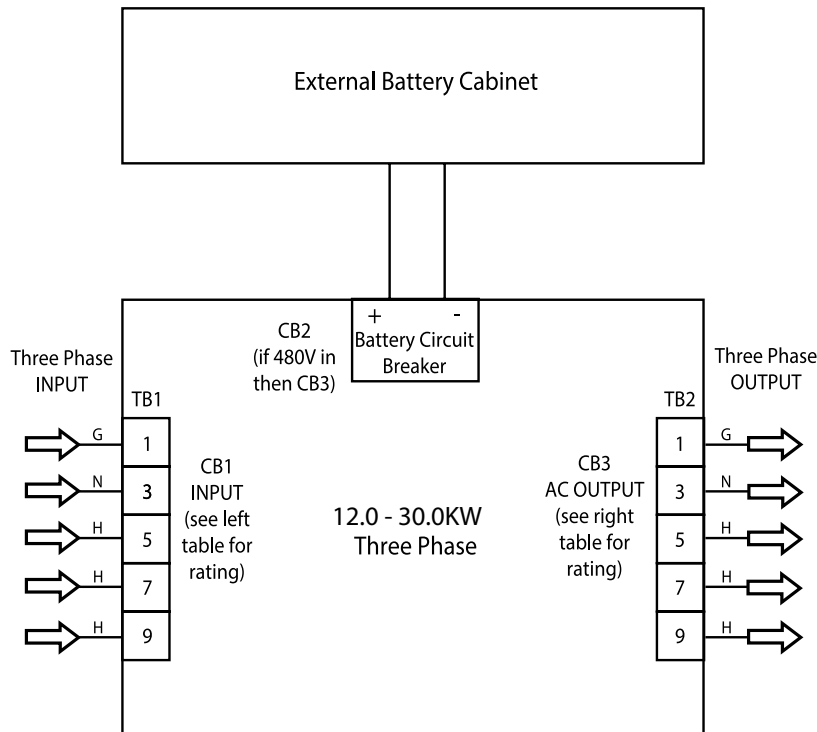
KW	Input Voltage	Utility Feed Amps
3.0	208Y/120	14.6
	480Y/277	6.3
	208	14.6
	480	6.3
4.5	208Y/120	21.9
	480Y/277	9.5
	208	21.9
	480	9.5
6.0	208Y/120	29.2
	480Y/277	12.6
	208	29.2
	480	12.6
8.0	208Y/120	39
	480Y/277	16.9
	208	39
	480	16.9
10.0	208Y/120	48.6
	480Y/277	21
	208	48.6
	480	21



KW	Output Voltage	Max Output Amps
3.0	208Y/120	8.3
	480Y/277	3.6
4.5	208Y/120	12.5
	480Y/277	5.4
6.0	208Y/120	16.7
	480Y/277	7.2
8.0	208Y/120	22.2
	480Y/277	9.6
10.0	208Y/120	27.8
	480Y/277	12

Three Phase: 12 - 30KW

KW	Input Voltage	Utility Feed Amps
12.0	208Y/120	58.4
	480Y/277	25.3
	208	58.4
	480	25.3
16.0	208Y/120	77.8
	480Y/277	33.7
	208	77.8
	480	33.4
20.0	208Y/120	97.3
	480Y/277	42.1
	208	97.3
	480	42.1
24.0	208Y/120	116.7
	480Y/277	50.6
	208	116.7
	480	50.6
30.0	208Y/120	145.9
	480Y/277	63.2
	208	145.9
	480	63.2



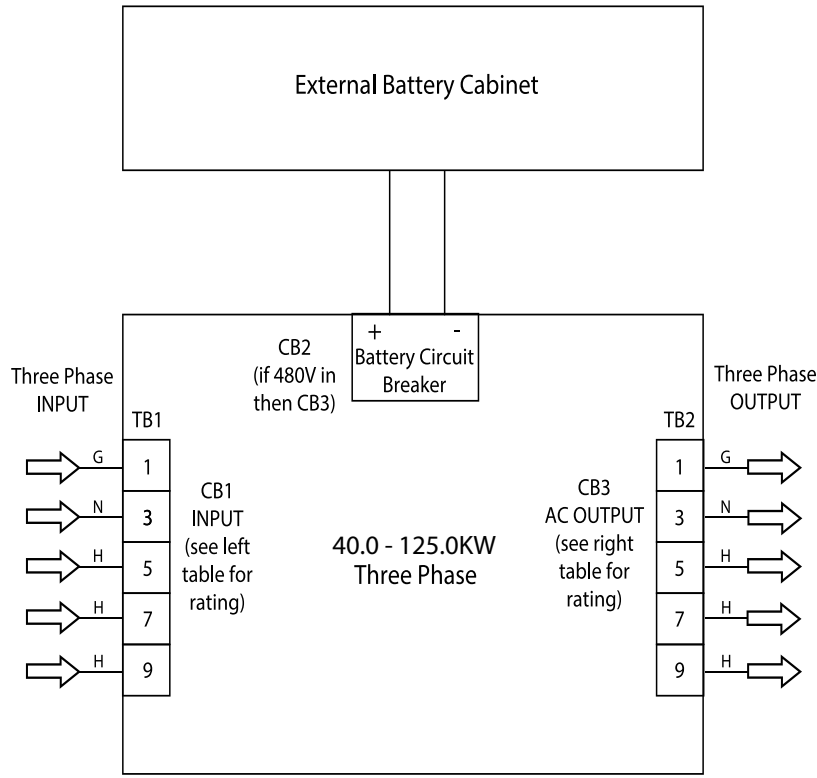
KW	Output Voltage	Max Output Amps
12.0	208Y/120	33.3
	480Y/277	14.5
16.0	208Y/120	44.5
	480Y/277	19.3
20.0	208Y/120	55.6
	480Y/277	24.1
24.0	208Y/120	66.7
	480Y/277	28.9
30.0	208Y/120	83.4
	480Y/277	36.1

Sonoran 3 Series

Integration

Three Phase: 40 - 125KW

KW	Input Voltage	Utility Feed Amps
40.0	208Y/120	194.5
	480Y/277	84.3
	208	194.5
	480	84.3
60.0	208Y/120	291.8
	480Y/277	126.4
	208	291.8
	480	126.4
80.0	208Y/120	389.1
	480Y/277	168.6
	208	389.1
	480	168.6
100.0	208Y/120	486.3
	480Y/277	210.7
	208	486.3
	480	210.7
125.0	208Y/120	607.9
	480Y/277	263.4
	208	607.9
	480	263.4



KW	Output Voltage	Max Output Amps
40.0	208Y/120	111.2
	480Y/277	48.2
60.0	208Y/120	166.7
	480Y/277	72.3
80.0	208Y/120	222.3
	480Y/277	96.3
100.0	208Y/120	277.9
	480Y/277	120.4
125.0	208Y/120	347.4
	480Y/277	150.5